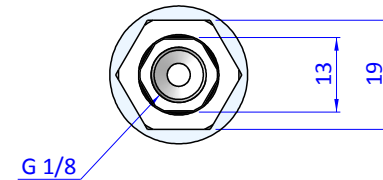
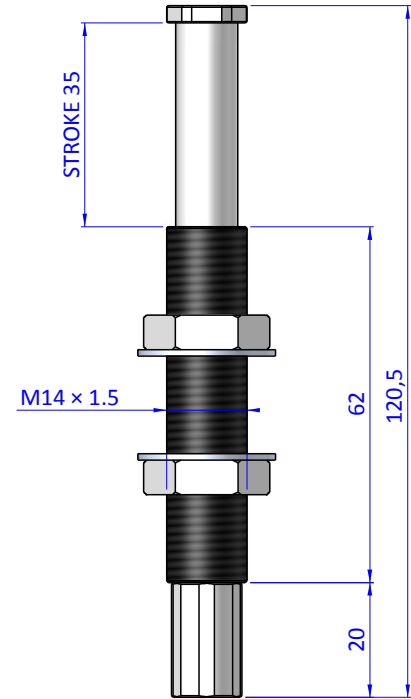
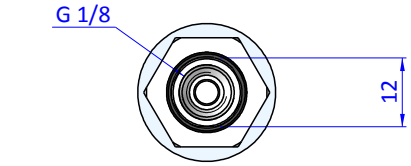
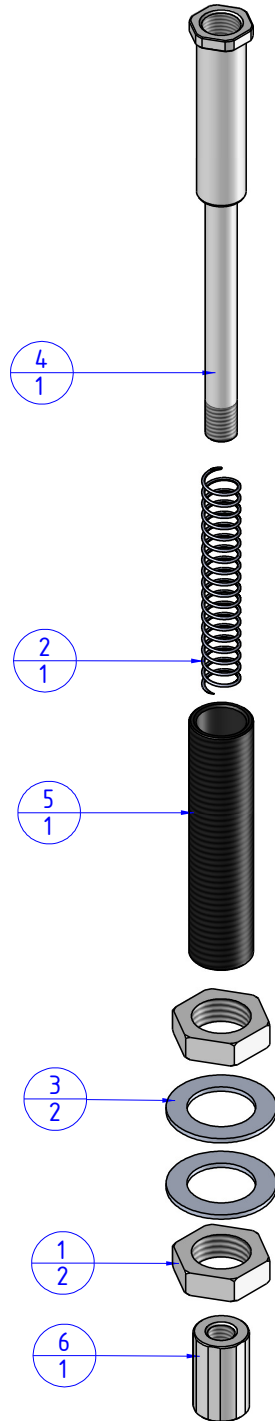


THE PROPERTY OF THE DRAWING IS ESTABLISHED BY LAW. IT IS FORBIDDEN TO PRODUCE OR SHOW IT TO THIRD PARTY, WITHOUT A WRITTEN AGREEMENT.

Item	Name	Q.ty
1	05.01.001.06	2
2	M.8.5X48.50.1	1
3	R.14.SCH	2
4	SDR.1435.01	1
5	SDRG.1435.02	1
6	VSN.14.1	1



Format A3

UNI 936-76

		DESIGNED FROM	REVIEW
		FP SERVICES	A / 6
GENERAL TOLERANCE	DESCRIPTION	DATE	WEIGHT
UNI - ISO 2768	CA.SDRG.1435	12/02/2019	0,037kg
CLASSE f		CODE	CA.SDRG.1435